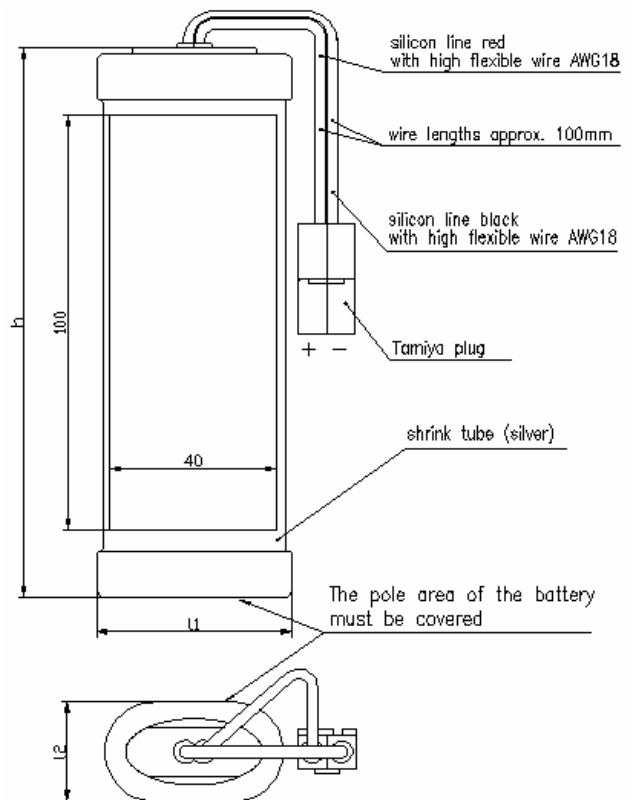


<b>nominal voltage:</b>	7,2V	conditions
<b>max. charge voltage:</b>	9,0V	at standard charge (0,1C / 20°C)
<b>capacity</b>		
nominal :	3300mAh	discharge at 0,2C
minimum:	2805mAh 2525mAh	discharge at 0,2C discharge at 1,0C 6,0V end discharge voltage ambient temperature 20°C
<b>max. discharge current:</b>	23,1A	continuous
<b>charge</b>	charge current	charge time
standard charge:	330mA	14...16hrs at 20°C
fast charge:	3300mA	1,1hrs
recommended charge termination control parameters:	-dV: 30...60mV dT/dt: 0,8...1°C per min TCO: 45...50°C	
trickle charge current:	40...165mA	(recommended)
continuous overcharge: (less than 1 year)	<205mA	no conspicuous deformation, no leakage
<b>internal resistance:</b>	≤ 100mOhms	at 1000Hz, battery fully charged
<b>life expectancy:</b>	>500 cycles	IEC standard
<b>ambient temperature range:</b>	0...45°C 10...40°C -20...65°C -10...40°C -20...45°C	standard charge fast charge discharge (≤6,6A) discharge (≤23,1A) storage

**mechanical specifications:**

cell dimensions (with sleeve)	
length l1:	47,5 +/-1mm
length l2:	24,0 +/-1mm
height h:	135+/-2mm
weight:	approx. 360g



	specifications for model/type:	NiMH RC-Pack 7,2V 3300mAh
	Ansmann drawing number / part number:	161 0000 60
	drawn by / date:	Brandt / 07.11.2005